

BESV

Premium e-bikes

MY 24 TRS FRAME PARTS



TRS series

The TRS is a state-of-the-art eMTB designed for those who demand more. With its Shimano EP801 center-motor, it offers a powerful and smooth ride. The bike's full-suspension BESV TRS Series smooth welded alloy frame is both durable and lightweight, ensuring a comfortable ride on any terrain. Integrated battery with smart charging capability provides extended range, making it perfect for longer rides and adventures.



TRS 160 1.1 LR



TRS 160 1.3



TRS 130 1.1



TRS 130 1.3



TRS 130 URBAN 1.1



TRS 130 URBAN 1.3

LIST OF PARTS: Only complete sets are available to order. Please use these parts numbers when placing your order.

Location	Name	Description	Part Number of Set	Unit Part Number	Quantity
1	MOTOR CAGE PIVOT HARDWARE	MY24 TRS 160/130 MOTOR CAGE PIVOT BEARING, 6902V ZZ 2RD, O.D.28/I.D.15 H7, MY22 TRS YCMT12	60.Y4CAP.015	34.Y2PFM.102	2
		MY24 TRS 160/130 MOTOR CAGE PIVOT BOLT MALE, DIA.27*L10,M10*P1.5*L9.5 ALU.7075-T6,ANDZ. BLACK,W/NYLOK,MY24 TRS,YCMT17		34.Y4CFM.103	1
		MY24 TRS 160/130 MOTOR CAGE PIVOT SPACER, DIA.22*DIA.15.4*L3.2,AL6061-T6,MY24 TRS,YCMT17		34.Y4CFM.104	2
		MY24 TRS 160/130 MOTOR CAGE PIVOT BOLT, DIA.27*L63,M10*P1.5*L12 ALU.7075-T6,ANDZ. BLACK,W/NYLOK,MY24 TRS,YCMT17		34.Y4CFM.109	1
2	CHAIN STAY PIVOT HARDWARE	MY24 TRS 160/130 CHAIN STAY PIVOT BEARING, 608-2RS, O.D.22/I.D.8 H7, MY21 TRS YCMT06	60.Y4CAP.014	34.Y88FM.113	2
		MY24 TRS 160/130 CHAIN STAY PIVOT SPACER, DIA.16*DIA.8.4*L2.8,AL6061-T6,MY24 TRS,YCMT17		34.Y4CFM.111	2
		MY24 TRS 160/130 CHAIN STAY PIVOT BOLT, DIA.14*L25.5,M8*P1.25*L8.5 ALU.7075-T6, ANDZ. BLACK,MY24 TRS,YCMT17		34.Y4CFM.112	2
		MY24 TRS 160/130 CHAIN STAY PIVOT SPACER, L157A, DIA.19*DIA.8.4*L2, AL6061-T6, MY24 TRS, YCMT17		34.Y4CFM.118	2
3	SEAT TUBE PIVOT HARDWARE	MY24 TRS 160/130 SEAT TUBE PIVOT BEARING, 6902V ZZ 2RD, O.D.28/I.D.15 H7, MY22 TRS YCMT12	60.Y4CAP.012	34.Y2PFM.102	2
		MY24 TRS 160/130 SEAT TUBE PIVOT BOLT, DIA.27*L10,M10*P1.5*L9.5 ALU.7075-T6,ANDZ. BLACK,W/NYLOK,MY24 TRS,YCMT17		34.Y4CFM.103	1
		MY24 TRS 160/130 SEAT TUBE PIVOT SPACER, DIA.22*DIA.15.4*L3.2,AL6061-T6,MY24 TRS,YCMT17		34.Y4CFM.104	2
		MY24 TRS 160/130 SEAT TUBE PIVOT BOLT, DIA.27*L70,M10*P1.5*L12 ALU.7075-T6,ANDZ. BLACK,MY24 TRS,YCMT17		34.Y4CFM.105	1
4	SEAT STAY PIVOT HARDWARE	MY24 TRS 160/130 SEAT STAY PIVOT BEARING, 6901V ZZ 2RD, O.D.24/I.D.12 H6, MY22 TRS YCMT12	60.Y4CAP.013	34.Y2PFM.103	2
		MY24 TRS 160/130 SEAT STAY PIVOT BOLT, DIA.21*L21.8,M12*P1.5*L9 ALU.7075-T6,ANDZ. BLACK,W/NYLOK,MY24 TRS,YCMT17		34.Y4CFM.106	2
		MY24 TRS 160/130 SEAT STAY PIVOT SPACER, DIA.18*DIA.12.4*L2.8,AL6061-T6,MY24 TRS,YCMT17		34.Y4CFM.108	4
5	UPPER AND LOWER SHOCK MOUNT	MY24 TRS 160/130 SHOCK UPPER/LOWER MOUNT BOLT, INNER HEX,DIA.12*L39.5,M8*P1.25*L11.5,AL7075-T6,ANDZ. BLACK,W/NYLOK,MY24 TRS,YCMT17	60.Y4CAP.011	34.Y4CFM.101	1
		MY24 TRS 160/130 SHOCK UPPER/LOWER MOUNT NUT, INNER HEX,DIA.12*L33.5,M8*P1.25*L8.5,AL7075-T6,ANDZ. BLACK,W/NYLOK,MY24 TRS,YCMT17		34.Y4CFM.102	1
6	CHARGING PORT HARDWARE	MY24 TRS 160/130 CHARGING PORT, ASSY HOUSING SHIELD, G2 CHARGE PORT,W/COVER,AXLE,SPRING,BLCAK, YCMT17	60.Y4CAP.020	65.Y4CHS.001	1
6	MOTOR MOUNT HARDWARE	MY24 TRS 160/130 CHARGING PORT, SCREW MACH PAN +SLOT SUS STEEL FI M2.5 8.0 MM	60.Y4CAP.016	8F.1AA33.8R0	4
		MY24 TRS 160/130 MOTOR MOUNT SCREW MACH ROUND INTER HEX SUS STEEL B-ZN NYLOK+3 M8 16 MM		8F.6RY6C.160	3
		MY24 TRS 160/130 MOTOR MOUNT SCREW MACH ROUND INTER HEX SUS STEEL B-ZN NYLOK+3 M8 20 MM		8F.6RY6C.200	3
6	MOTOR BASH GUARD	MY24 TRS 160/130 MOTOR MOUNT WASHER STAINLESS SUS304 ZINC BLACK M8*13.6 T1.5	60.Y4CAP.017	8H.12321.C15	6
		MY24 TRS 160/130 MOTOR BASH GUARD LOWER COVER, MATT BLACK, YCMT17		34.Y4CFM.001	1
		MY24 TRS 160/130 MOTOR BASH GUARD SCREW MACH BINDING INTER HEX SUS STEEL FI M4 06 MM		8F.4RA36.060	4
7	BATTERY MOUNT HARDWARE	MY24 TRS 160/130 BATTERY MOUNT, G2 BATTERY MOUNT PLATE, FRONT AND REAR, SUS304, YCMT17	60.Y4CAP.018	34.Y4CFM.001	1
		MY24 TRS 160/130 BATTERY MOUNT, SCREW MACH CAP INTER HEX SUS STEEL NYLOK+3 M6 10 MM		8F.7RA6A.100	2
		MY24 TRS 160/130 BATTERY MOUNT, WASHER SPRING STAINLESS M6*OD12.2*T1.5		8H.22101.A15	2
		MY24 TRS 160/130 BATTERY MOUNT, SCREW MACH FLAT PAN INTER HEX SUS STEEL NYLOK+3 M6 8.0 MM		8F.8RA6A.8R0	2
7	BATTERY MOUNT HARDWARE	MY24 TRS 160/130 BATTERY MOUNT, G2 BATTERY MOUNT PLATE, FRONT AND REAR, SUS304, YCMT17	60.Y4CAP.019	34.Y4CFM.001	1
		MY24 TRS 160/130 BATTERY MOUNT, SCREW MACH CAP INTER HEX SUS STEEL NYLOK+3 M6 10 MM		8F.7RA6A.100	2
		MY24 TRS 160/130 BATTERY MOUNT, 0.5MM SUS.304 PLATE, MY24 TRS, YCMT17		34.Y4CFM.002	1
		MY24 TRS 160/130 BATTERY MOUNT, SCREW MACH FLAT PAN INTER HEX SUS STEEL NYLOK+3 M6 8.0 MM		8F.8RA6A.8R0	2
8	BATTERY COVER HARDWARE	MY24 TRS 160/130 DT COVER, FULL ASSEMBLY	N/A	34.Y4CFM.005	1
		MY24 TRS 160/130 SERVICE PARTS FOR COVER		34.Y3VFM.015	1
9	CHAIN STAY PROTECTOR	MY24 TRS 160/130 DRIVE SIDE CHAIN STAY PROTECTOR / CLAMP-ON TYPE W/GLUE TAPE	N/A	47.Y4CRP.002	1
10	HANGER ASSEMBLY	MY24 TRS 160/130 ALLOY HANGER, 00.7918.089.000,SRAM UDH HANGER,W/UDH-NUT,M12*1.0P FOR THRU AXLE,BLACK,MY24 TRS, YCMT17	34.Y4CFM.115		1
11	SWING ARM	MY24 TRS 160 SWING ARM, 163.3*106.6*66, ALU.6061-T6,BLACK, MY24 TRS 160,YCMT17	N/A	34.Y4CFM.113	1
	SWING ARM	MY24 TRS 130 SWING ARM, 148.5*91.6*66.4, ALU.6061-T6,BLACK, MY24 TRS 130,YCMT17		34.Y4CFM.114	1



1

MOTOR CAGE PIVOT
HARDWARE:

60.Y4CAP.015

34.Y4CFM.103

34.Y4CFM.109

34.Y2PFM.102

34.Y4CFM.104

34.Y4CFM.104

34.Y2PFM.102

1

MOTOR CAGE PIVOT
HARDWARE:

60.Y4CAP.015

14_{Nm}

34.Y4CFM.103

14_{Nm}

34.Y4CFM.109

2

CHAIN STAY PIVOT
HARDWARE:

60.Y4CAP.014

34.Y4CFM.111

34.Y88FM.113

34.Y4CFM.111

34.Y4CFM.111

34.Y88FM.113

34.Y4CFM.111

2

CHAIN STAY PIVOT
HARDWARE:

60.Y4CAP.014

14 **34.Y4CFM.112**

3SEAT TUBE PIVOT
HARDWARE:

60.Y4CAP.012

11

TRS 160: 34.Y4CFM.113

TRS 130: 34.Y4CFM.114

14 Nm

34.Y4CFM.103

34.Y4CFM.104

34.Y2PFM.102

34.Y2PFM.102

34.Y4CFM.104

14 Nm
34.Y4CFM.105**4**SEAT STAY PIVOT
HARDWARE:

60.Y4CAP.013

34.Y4CFM.108

34.Y2PFM.103

34.Y4CFM.108

34.Y2PFM.103

34.Y4CFM.108

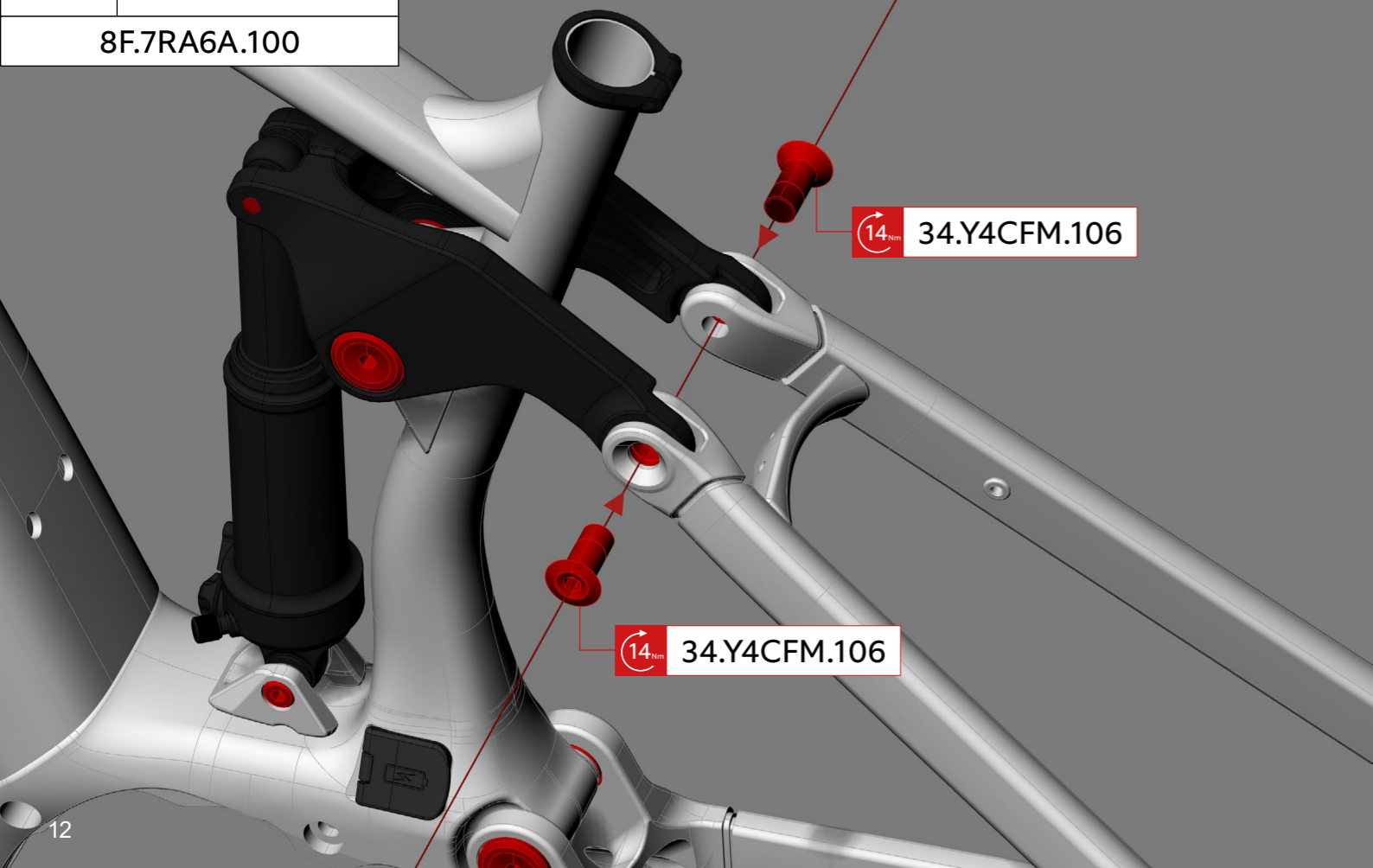
34.Y4CFM.106

34.Y4CFM.106

4

SEAT STAY PIVOT
HARDWARE:

8F.7RA6A.100



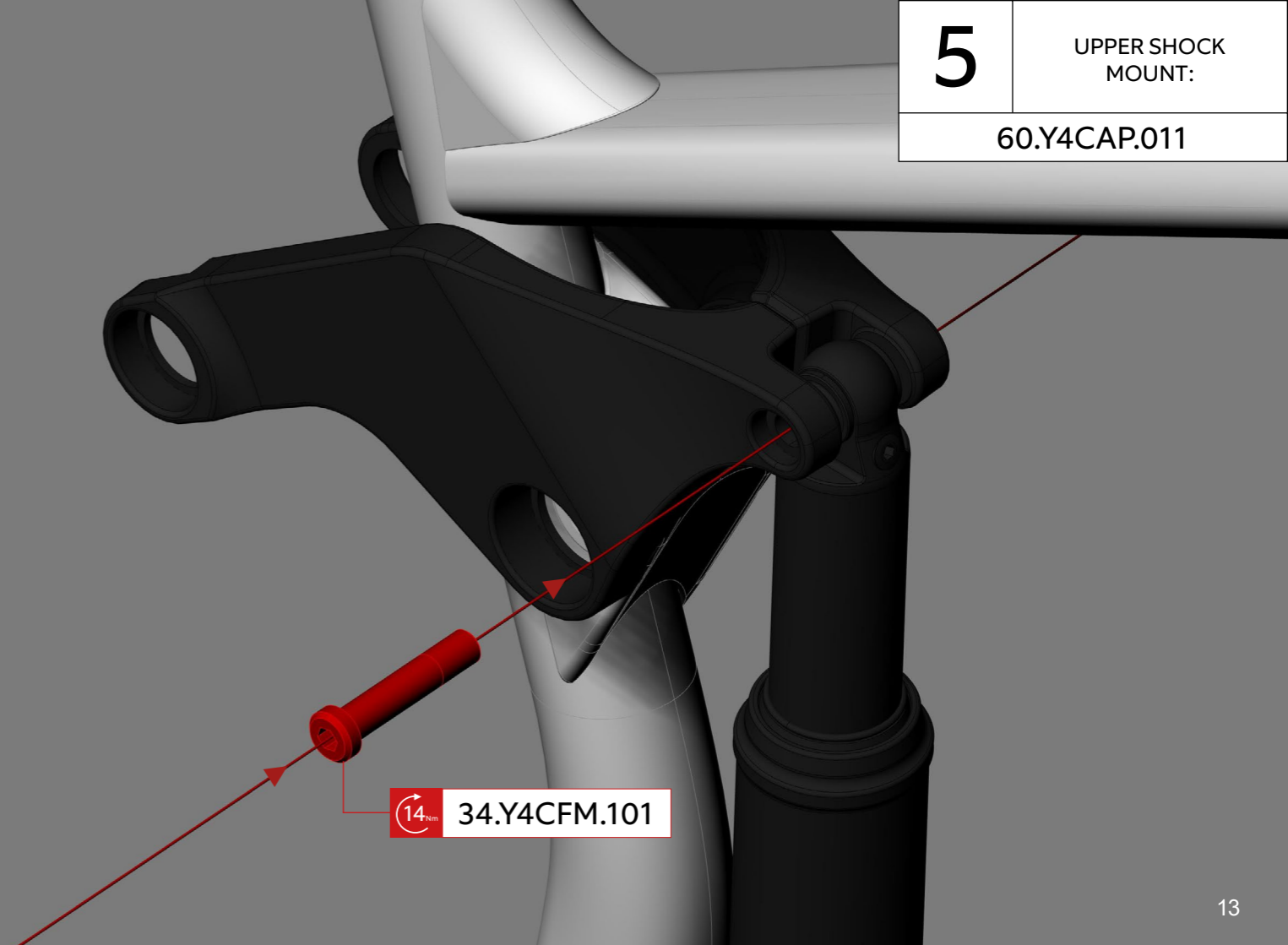
14 Nm 34.Y4CFM.106

14 Nm 34.Y4CFM.106

5

UPPER SHOCK
MOUNT:

60.Y4CAP.011



14 Nm 34.Y4CFM.101

5

LOWER SHOCK MOUNT:

60.Y4CAP.011

14_{mm}

34.Y4CFM.102

6

MOTOR MOUNT HARDWARE:

60.Y4CAP.020

65.Y4CHS.001

1,5_{mm}

8F.1AA33.8R0

6

MOTOR MOUNT
HARDWARE:

60.Y4CAP.016

13 Nm 8F.6RY6C.160

8H.12321.C15

13 Nm 8F.6RY6C.200

8H.12321.C15

8H.12321.C15

13 Nm 8F.6RY6C.200

8H.12321.C15

13 Nm 8F.6RY6C.200

13 Nm 8F.6RY6C.160

8H.12321.C15

8H.12321.C15

13 Nm 8F.6RY6C.160

6

MOTOR MOUNT
HARDWARE:

60.Y4CAP.017

4 Nm 8F.4RA36.060

4 Nm 8F.4RA36.060

34.Y4CMM.001

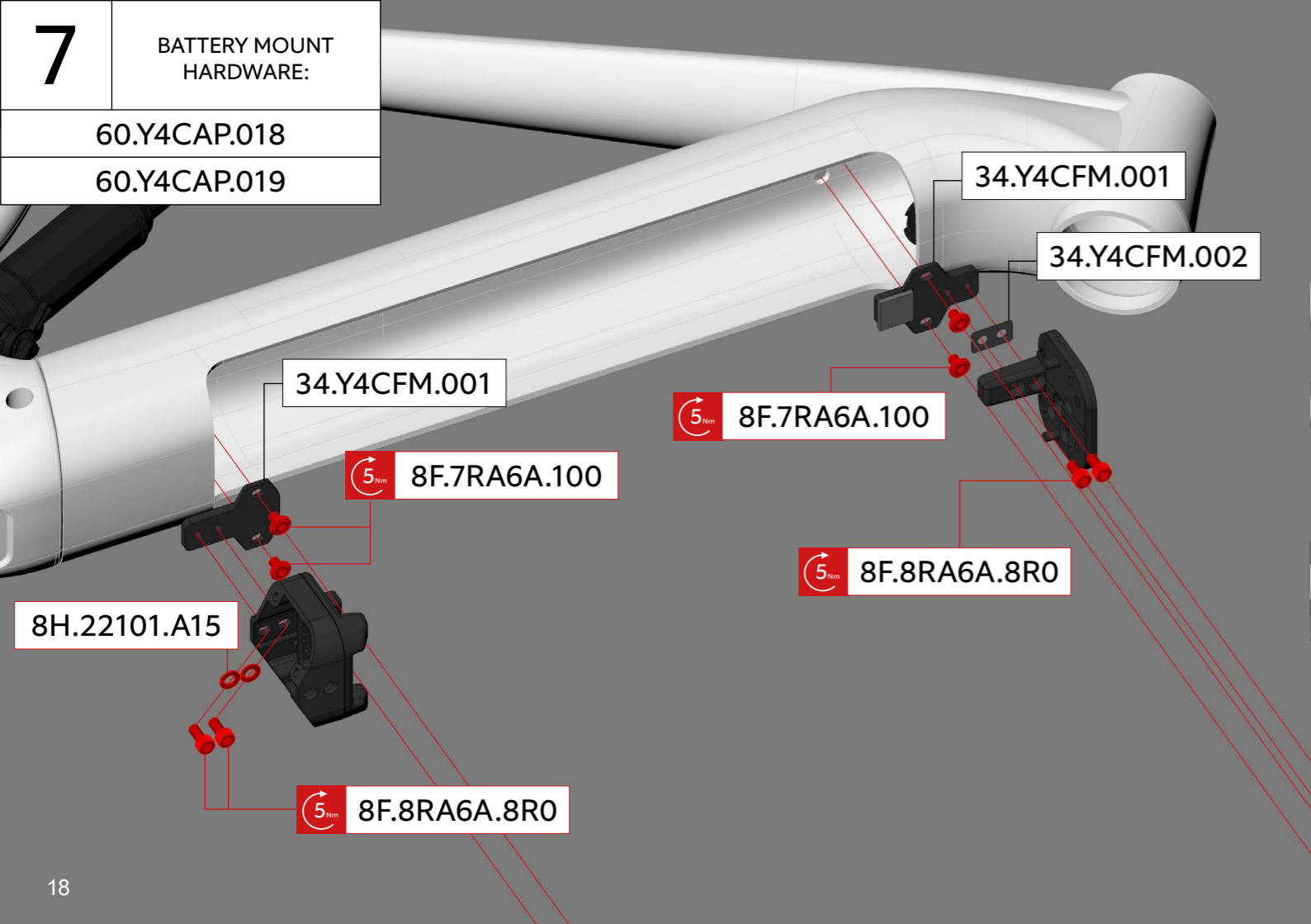
4 Nm 8F.4RA36.060

7

BATTERY MOUNT
HARDWARE:

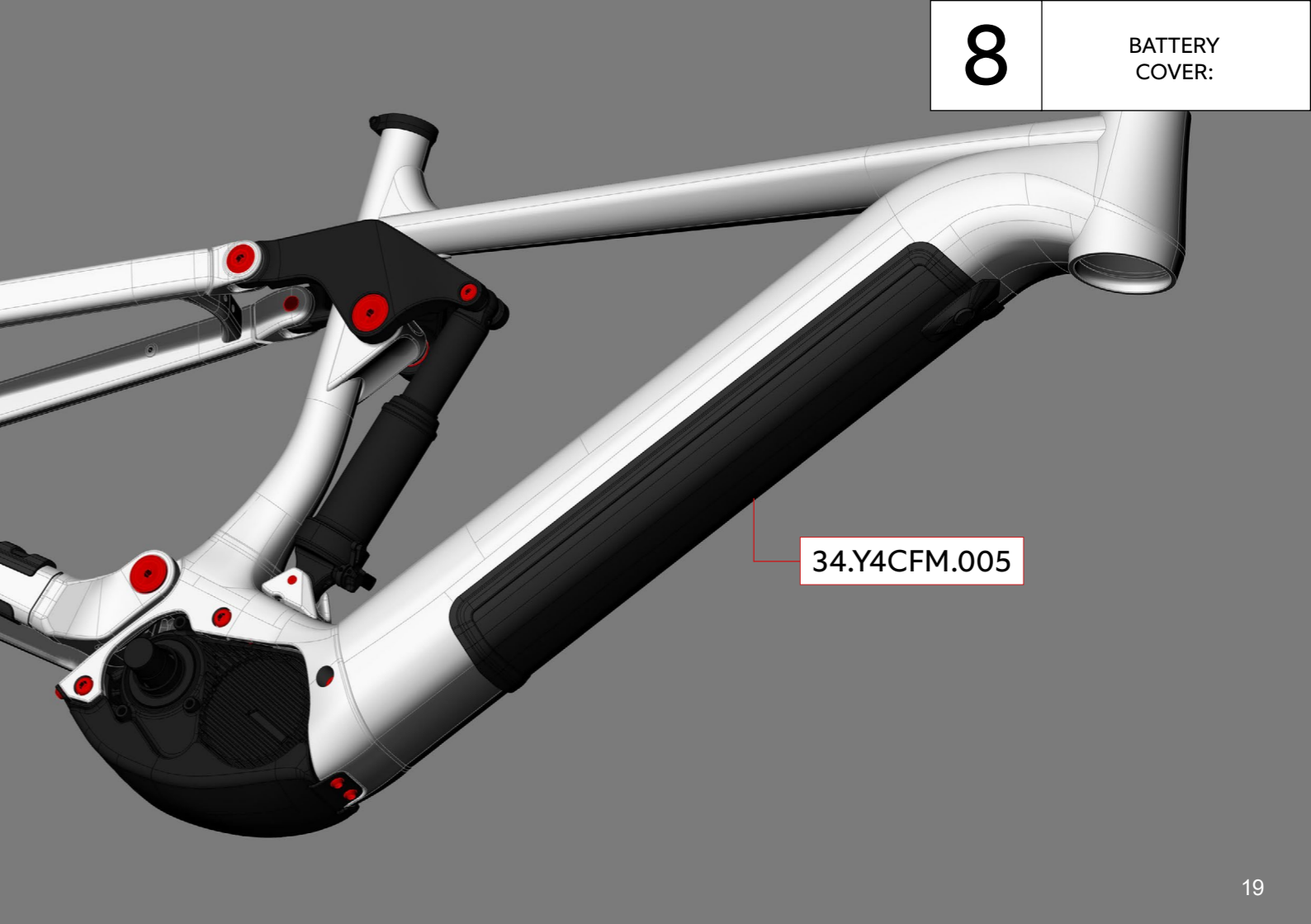
60.Y4CAP.018

60.Y4CAP.019



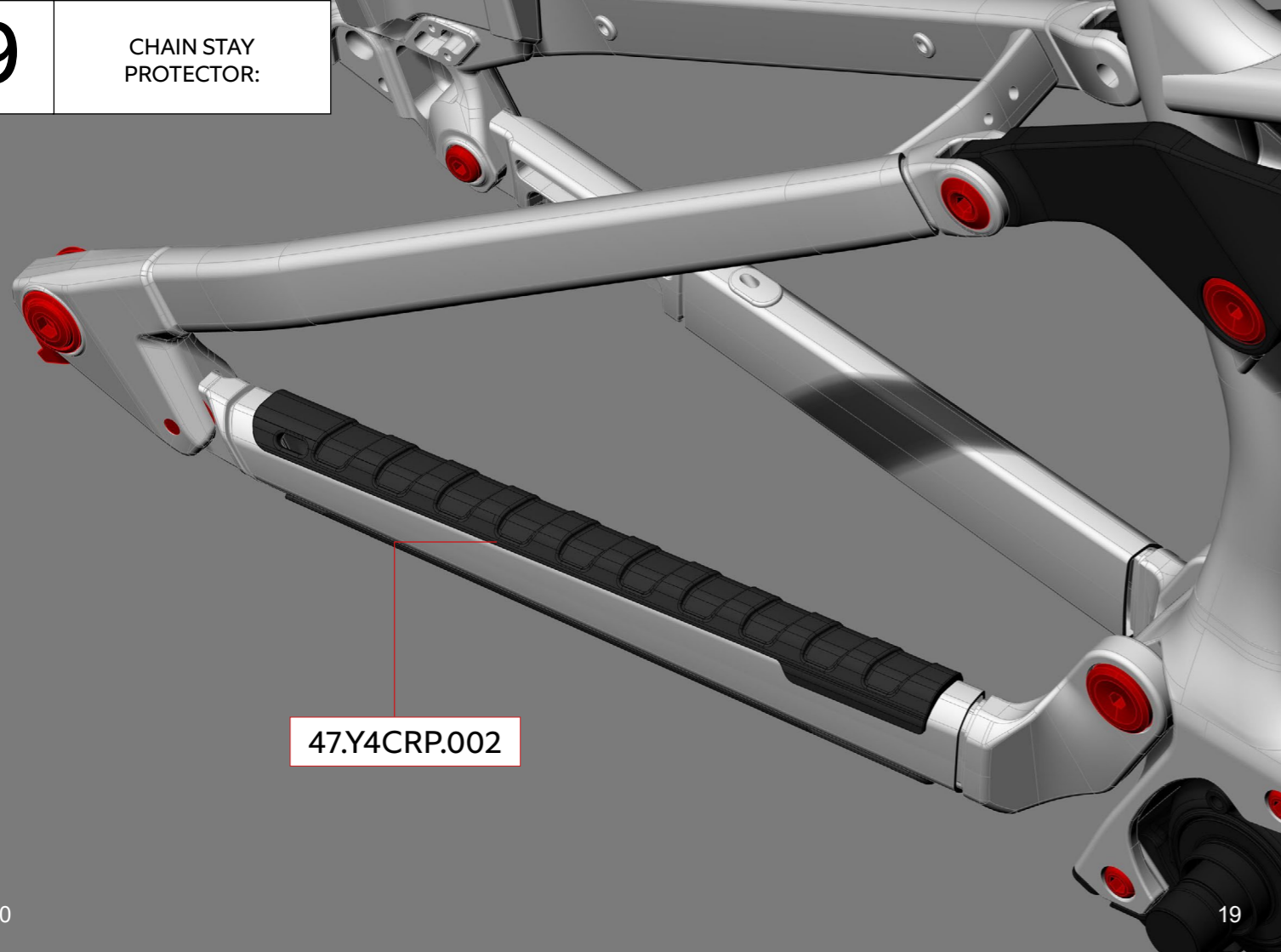
8

BATTERY
COVER:



9

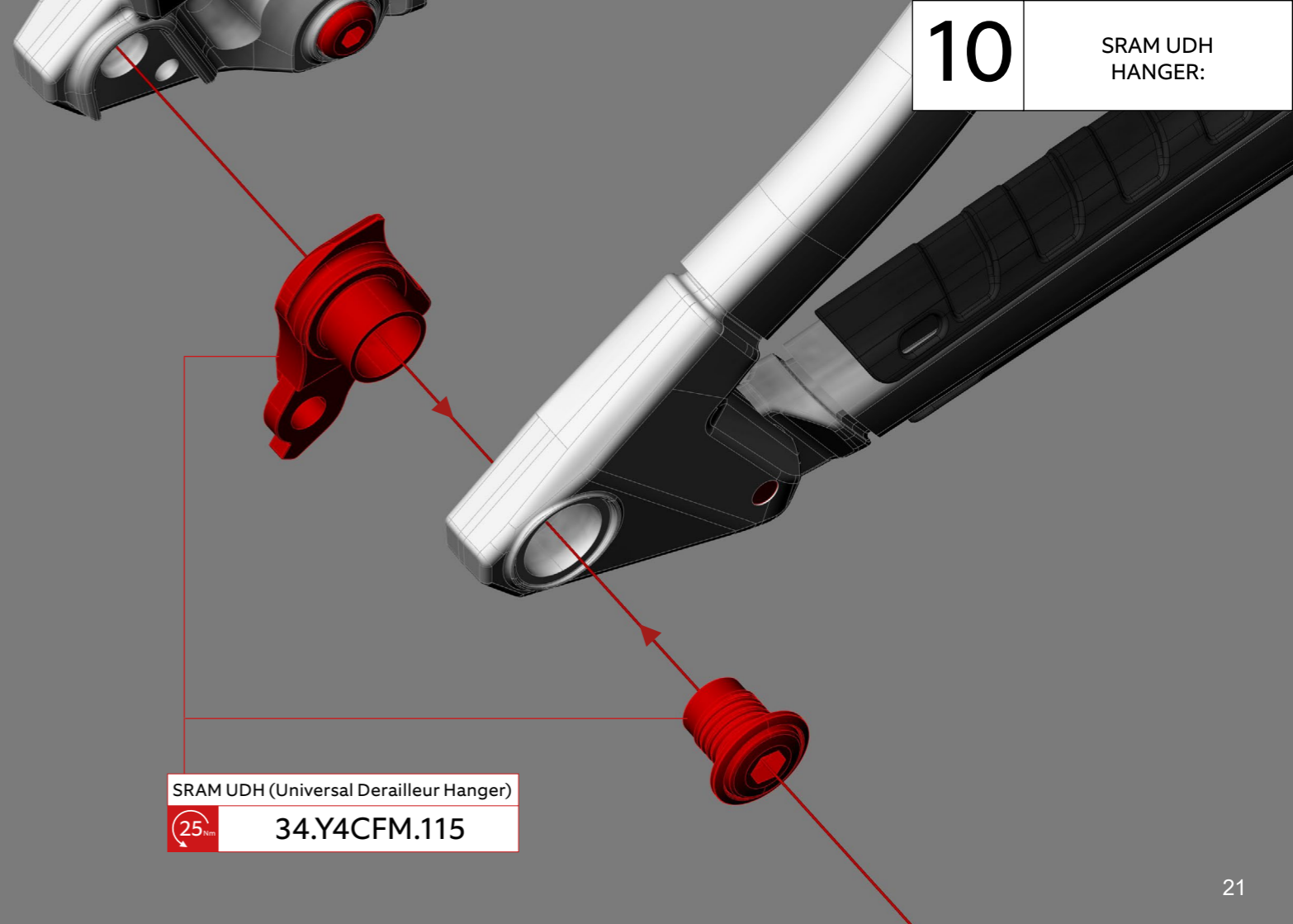
CHAIN STAY
PROTECTOR:



47.Y4CRP.002

10

SRAM UDH
HANGER:



SRAM UDH (Universal Derailleur Hanger)



34.Y4CFM.115

Index:

▪TRS and TRS URBAN SERIES	2.
▪Lineup	3.
▪List of parts	4.
▪General view	5.
▪Motor cage pivot hardware	6.
▪Chain stay pivot hardware	8.
▪Seat tube pivot hardware	10.
▪Seat stay pivot hardware	11.
▪Upper and lower shock mount	13.
▪Motor mount hardware	15.
▪Battery mount hardware	18.
▪Battery cover	19.
▪Chain stay protector and hanger	20.

Darfon Europe BV
Habranken 2145A
5507TE Veldhoven
The Netherlands

+31 40 303 1600
service.europe@darfon.com



BESV
Premium e-bikes